

16.5 mm & 22.5 mm
JAIBALAJI LED Module indicating Lights



RECOGNITION OF
Quality Plus

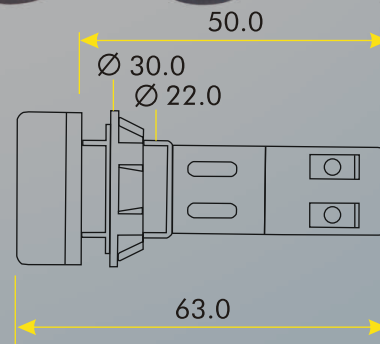


JAIBALAJI a leading manufacturer of **JAIBALAJI** brand indicating lights which are certified by Bureau of Indian Standards and CSA International, CANADA / US. **JAIBALAJI** indicating lights based on well developed solid state technology are highly reliable.

JAIBALAJI brand lucent indicating lights are available in 16.5 mm and 22.5 mm diameter version with six different colours (i.e. Yellow, Red, Amber, Blue, Green and White) and with different ranges of AC and DC voltages.

JAIBALAJI Research & Development technology has achieved a milestone by complying its standards to meet UL-VO rating in its flame retardant plastic type models of indicating lights.

JAIBALAJI LED Module indicating lights are available with Low voltage glow protection on request.

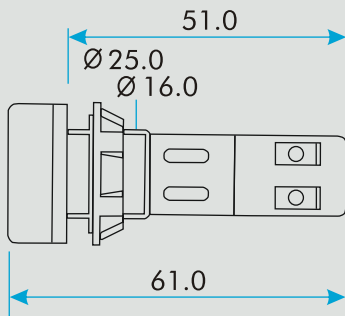


ULTRA BRIGHT
 SINGLE CHIP
 LED VERSION



ULTRA BRIGHT
 CLUSTER
 LED VERSION





ULTRA BRIGHT
SINGLE CHIP
LED VERSION



ULTRA BRIGHT
CLUSTER
LED VERSION

Salient features:

- Best Illumination due to maximum lucent LEDs.
- 80% Energy Saving.
- Zero failure probability due to LED technology.
- Fits with 16.5 & 22.5 mm standard cutouts.
- Suitable for standard voltage ranges. Non standard Voltage ranges available on request.
- Immune to vibration and shock resistance
- Rugged, Long lasting & Economic.
- Low voltage glow protection.

Specifications of LED Module Indicating Lights:

Operating voltage	:	6, 12, 24, 48, 110 & 230V AC& DC
Power consumption	:	0.5 Watts at 230V AC
Operating Temperature	:	-4°C to + 75°C
Colors available	:	Yellow, Red, Amber, Blue, Green and White
Designated normal life	:	1,00,000 burning hours.
Housing	:	Flame retardant Nylon glass filled provided with ribbed polycarbonate lens.
Protection	:	IP 65
Rated Insulation Voltage	:	600V
Insulation	:	above 50 Mega ohms
High Voltage Test	:	2500 Voltage for 1 min.
Termination	:	Totally enclosed finger touchproof Suitable for 2.5 Sqmm cable

Manufacturer:

JAIBALAJI
CONTROL GEARS PVT. LTD

POST BAG No.27,

PLOT No.89,(New No-107) SIDCO Industrial Estate,
Ambattur, Chennai - 600 098 (India).

Ph: 26251279, 26257859, 26254469, 26254470.

Fax: 0091-044-2625 5038.

E-mail: dchandramohan@jaibalaji.firm.in